

FourSure® 44 Eco

EN

Design: Strand + Hvass

Shell colour



EBONY BLACK



ANTHRACITE

Frame colour



MAT BLACK



ANTHRACITE

Options

Grip hole

Glides: Teflon / Felt

Note

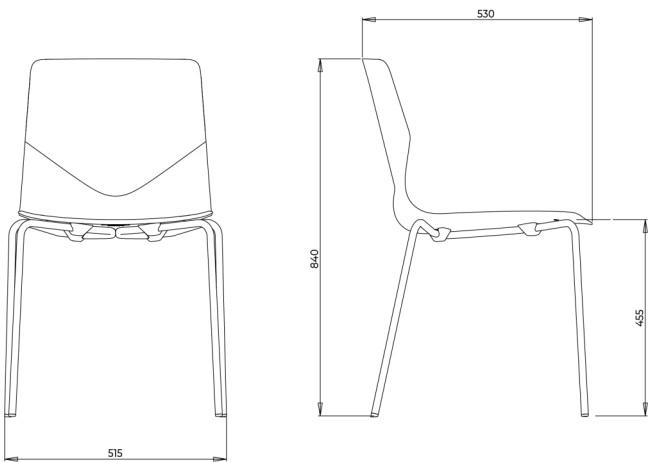
Stacking on floor:
Normal: 12 pcs.

FourSure® 44 Eco

EN

Design: Strand + Hvass

FourSure 44



FOUR
DESIGN


AN OCEE
INTERNATIONAL
COMPANY

Design: Strand + Hvass

Materials

Shell

Polyshell: PP, reinforced glass fibre (15%), recyclable. Meets the RoHS and REACH directives and are halogen free. Black shells can be delivered in a 100% recycled material.

Frame, Steel

Tube: Ø16 X 2 mm, Ducol 500
Glides (standard): PA
Lock: ABS/Pa6

Frame, Wood

FSC oak wooden frame
Glides (standard): PA
Lock: ABS/Pa6

Weight and dimensions

Weight: 5 kg

Quality and environment

At Four Design, we are aware of our environmental responsibility. We strive to reduce our company, and our customer's impact on the environment by producing quality furniture in a sustainable manner.

Procurement

We procure materials from responsible suppliers who comply with our high standards, ensuring that the materials are sustainably sourced and managed, conforming to applicable laws and regulations such as legal logging and chemical restrictions.

Production

We are ISO14001 certified, guaranteeing excellent environmental standards of our manufacturing sites.

Use

Four Design provides a 5-year warranty on all products within our price list. This warranty covers breakage and damage of products occurring because of deficient craftsmanship performance under normal use. The warranty shall lapse if the product shows signs of mishandling abuse or other physical damage. The warranty does not cover those parts of the product which are exposed to abrasion during use.

We kindly refer to our Maintenance Guide: http://www.fourdesign.dk/pdf/Maintenance_Guide.pdf

Recycling

We are working towards the aim for all our products to be minimum 95% recyclable. Products must be separated into their components and disposed of separately. All metal parts can be disposed of and recycled by an approved organisation. Lacquered frames are treated with a paint classified as not dangerous according to directive 1999/45/EF. Wood can either be recycled or incinerated. Plastic shells can be recycled. The shell will be granulated and reused in new plastic production. Upholstery and veneer shells are not recyclable but can be disposed of by incineration.