

# User information | FourReal® A 74, 90

## Disposal / Recycling of the product

Recycling, general: The table can be divided into parts.

Metal parts can be disposed and recycled by an approved environment and raw materials organisation.

Lacquered frames are treated with paint classified as not dangerous according to directive 1999/45/EF.

The plastic parts of the product contain no biocidal compounds and may be recycled according to their marking.

## Conditions for use of the product

The FourReal® is a non-domestic table with longevity – highly suitable for eating facilities, offices and educational environments.

\*The FourReal 'Eco' is not suited for outdoor use.

## Cleaning

General cleaning: Wipe the surface with a clean cloth and luted water with a neutral cleaning detergent. Afterwards, wipe the surface with a clean, dry cloth to avoid stripes or blotches.

**Thorough cleaning: Difficult stains may require a more powerful detergent or solvent. Prior to cleaning, always test the detergent/solvent in an invisible spot (underneath the table top, hidden spot on frame) to ensure that it will not damage the surface of table and frame.**

## Warranty

Four Design provides an extended warranty of 5 years on all products in our official price list. The warranty covers breakage of frames and damage occurred because of deficient craftsmanship performance under normal use. The warranty will lapse if the product shows signs of mishandling abuse or other physical damage. The warranty does not cover those parts of the product which are exposed to abrasion during use. For further information please refer to our price list.

## Compliance with European norms and standards

The FourReal ECO tables has been tested according to and has passed, the following European and American tests.

- EN 15372/02.2017
- EN 1730
- GS

## Spare parts

Spare parts are available throughout the extended 5 year warranty period.

Please contact the sales department in your area for inquiries regarding guarantee and spare parts.

## Assembly

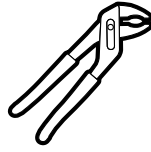
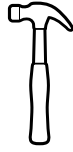
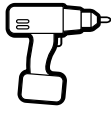
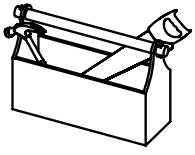
The FourReal® 74, 90, 105, 741 Flake tables are delivered fully assembled and requires no further assembly/handling by the customer.

FourReal® A is a knock-down product. You find assembly instructions on our website.

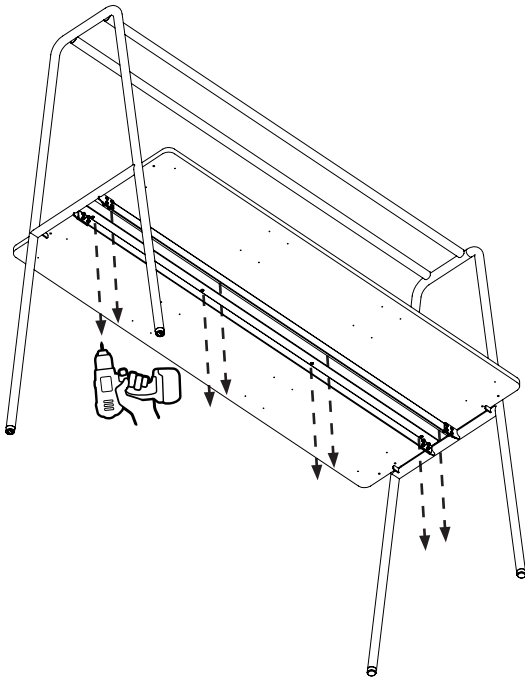
## Disassembly

If the product is no longer to be used, the different parts of the furniture is to be disassembled and recycled. Please find disassembling guide on our website.

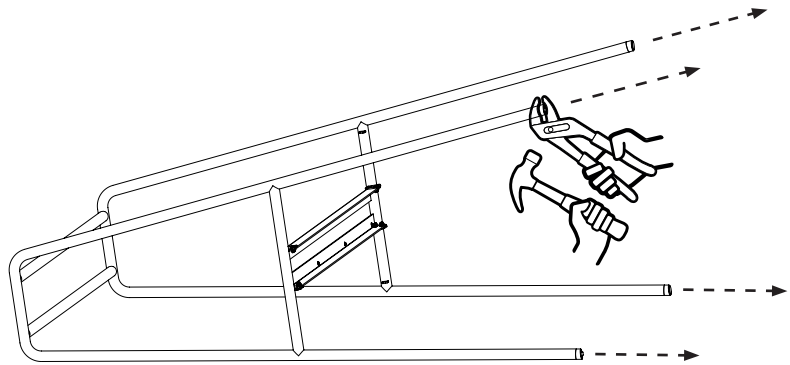
# How to disassemble **FourReal® A 74, 90**



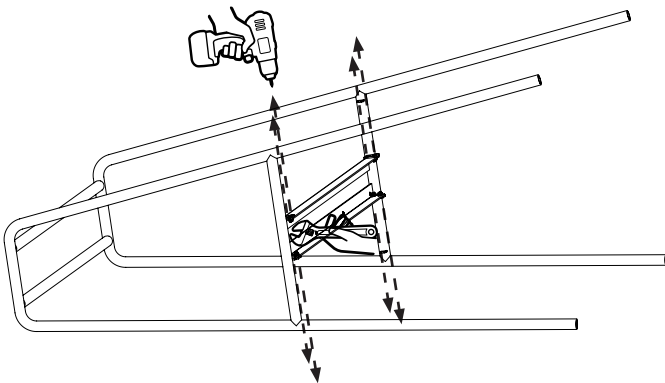
1. While the table is standing, remove the screws in the tabletop and remove the tabletop.



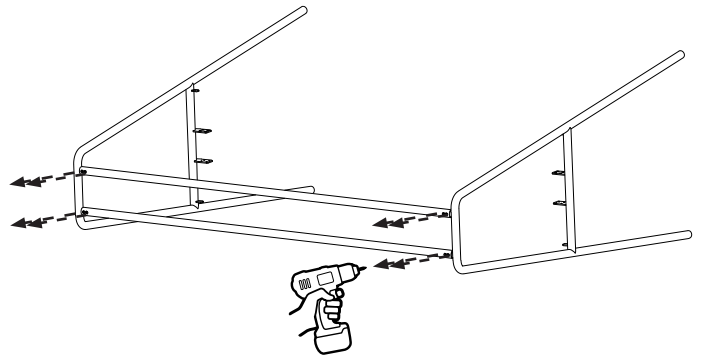
2. Use a pipe wrench and a hammer to remove the glides.



3. Hold the nuts with the wrench and remove the screws from the stretcher.



4. Remove the 8 screws from the top of the frame.



# FourReal® A 74

1800x800

Material	Weight (kg)	% of total weight
Steel	8,4	27,9
Polymer Plastics	0,08	0,27
Wood	21,6	71,8
Other		
Total	30,1	100

# FourReal® A 74

1400x800

Material	Weight	% of total weight
Steel	8,4	33,1
Polymer Plastics	0,08	0,32
Wood	16,9	66,6
Other		
Total	25,4	100

# FourReal® A 90

1400x800

Material	Weight	% of total weight
Steel	8,1	32,3
Polymer Plastics	0,08	0,32
Wood	16,9	67,4
Other		
Total	25,1	100

# FourReal® A 90

1800x800

Material	Weight	% of total weight
Steel	8,1	27,1
Polymer Plastics	0,08	0,27
Wood	21,7	72,6
Other		
Total	29,9	100

